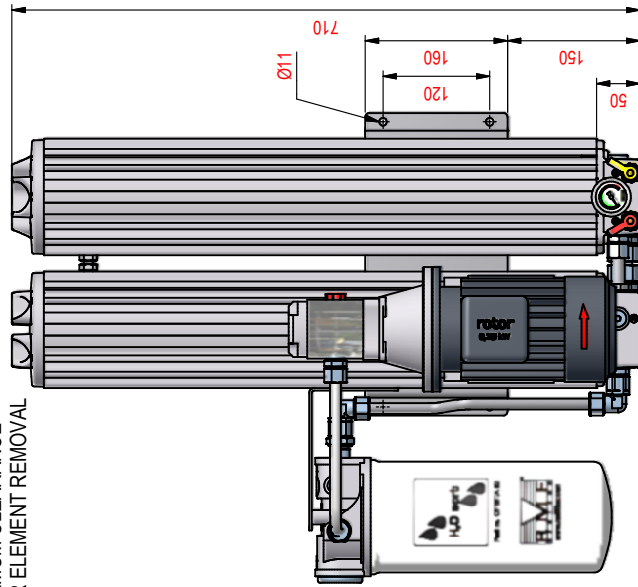


700MM

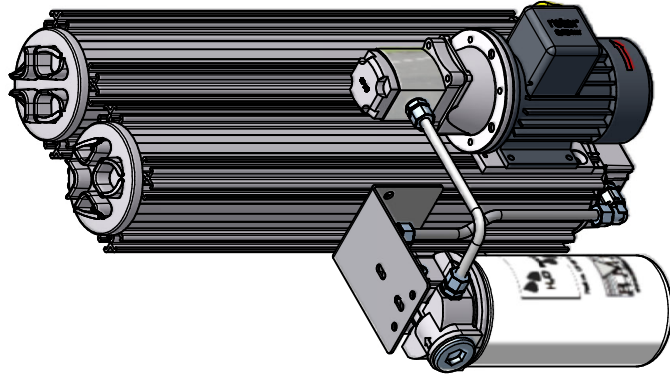
MINIMUM CLEARANCE  
FOR ELEMENT REMOVAL



40MM

CLEARANCE FOR  
ELEMENT REMOVAL

MODEL ( 1 : 6 )



Pos	Qty	Description	Material	Remarks
2	1	OUTLET	G1/2" - BSP	Female
1	1	INLET	G1/2" - BSP	Female
			Size	

		Website : WWW.RMFFILTER.COM	
Designed by	M.W.	Revision	Date
Designed date	19-11-2008	DOCUMENT TITLE	
Design state	WorkInProgress	RMF OLUW2B30HB02000A	
Checked by		RMF - OFF LINE FILTERS WITH H2O SORB	
Checked date		ARTICLE NUMBER	DRAWING NUMBER
PROJECTION		9317679	A3--9-294-12270
DIMENSIONAL TOLERANCE ACCORDING TO ISO 2768MH / NEN 2285		SCALE : 1:1	

REVISION	ARTICLE NUMBER	DRAWING NUMBER	REVISION
	9317679	A3--9-294-12270	